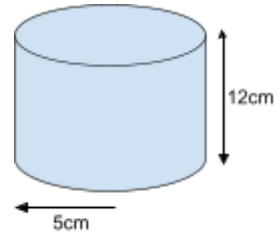


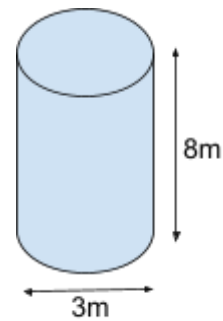


Quick Test - Surface area of a cylinder

1. A solid cylinder has a height of 12cm and a radius of 5cm.
Work out the total surface area.
Give your answer correct to 3 significant figures.

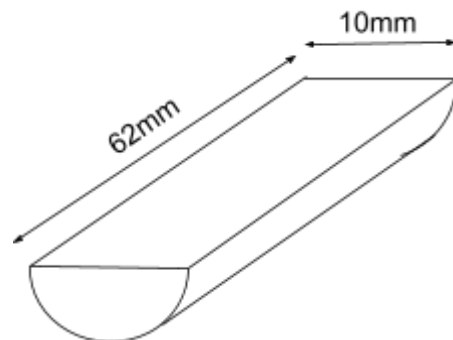


2. A solid cylinder has a diameter of 3m and a height of 8m.
Work out the total surface area of the cylinder.
Give your answer in terms of π .





3. A solid cylinder is cut in half to form a semi-cylinder with a radius of 10cm and a length of 62cm. Calculate the total surface area of the semi-cylinder.
Give your answer correct to 2 decimal places.



4. A solid cylinder has a radius of x metres and a height of 12 metres. The total surface area of the cylinder is $216\pi\text{m}^2$. Find the value of radius.

